

Fully integrated rotary valve position monitors that are certified to intrinsically safe standards. They offer a choice of enclosure materials and switching options.



Features

- Intrinsically Safe design meeting a wide range of worldwide approvals.
- Inductive NAMUR sensor rated for IS applications.
- Magnum switches with rhodium contacts for use with low power I/O's for longer contact life.
- Strong durable Beacon™ offers 360° visual indication available in a choice of styles and colors.
- Touch set cams are hand adjustable, spring loaded and self-locking providing quick calibration of position switches and sensors.
- Terminal strips are pre-wired and numbered with generous working space for ease of use.
- Additional conduit for easy field wiring and mounting accessories as standard.
- Wide range of switches and sensors.
- Position transmitter option.
- Switch stabilisation plate.
- Standardized mounting pattern for easy adaptation to common bracketry.
- Range of drive shaft options.
- Engineered resin enclosure is robust yet lightweight; allows broad operating temperatures and provides exceptional chemical, UV and impact resistance.
- Aluminium enclosures with ultra-low copper content (0.2% maximum) ensure robust performance in corrosive environments.
- Rugged stainless steel enclosure.
- IP rated plugs certified where applicable.

Technical Data

Agency approvals

Area classification (ATEX/IEC)

3000 Series	Ex II 1GD Exia IIC T* Ga Exia IIIC T120°C Da IP6X
3300/8300 Series	Ex II *GD Exia II* T* G* Ex t IIIC T135°C Da IP6X

Enclosure standards (IEC)

All enclosures	IP66/67
3000/3300 Series resin enclosures	IP68

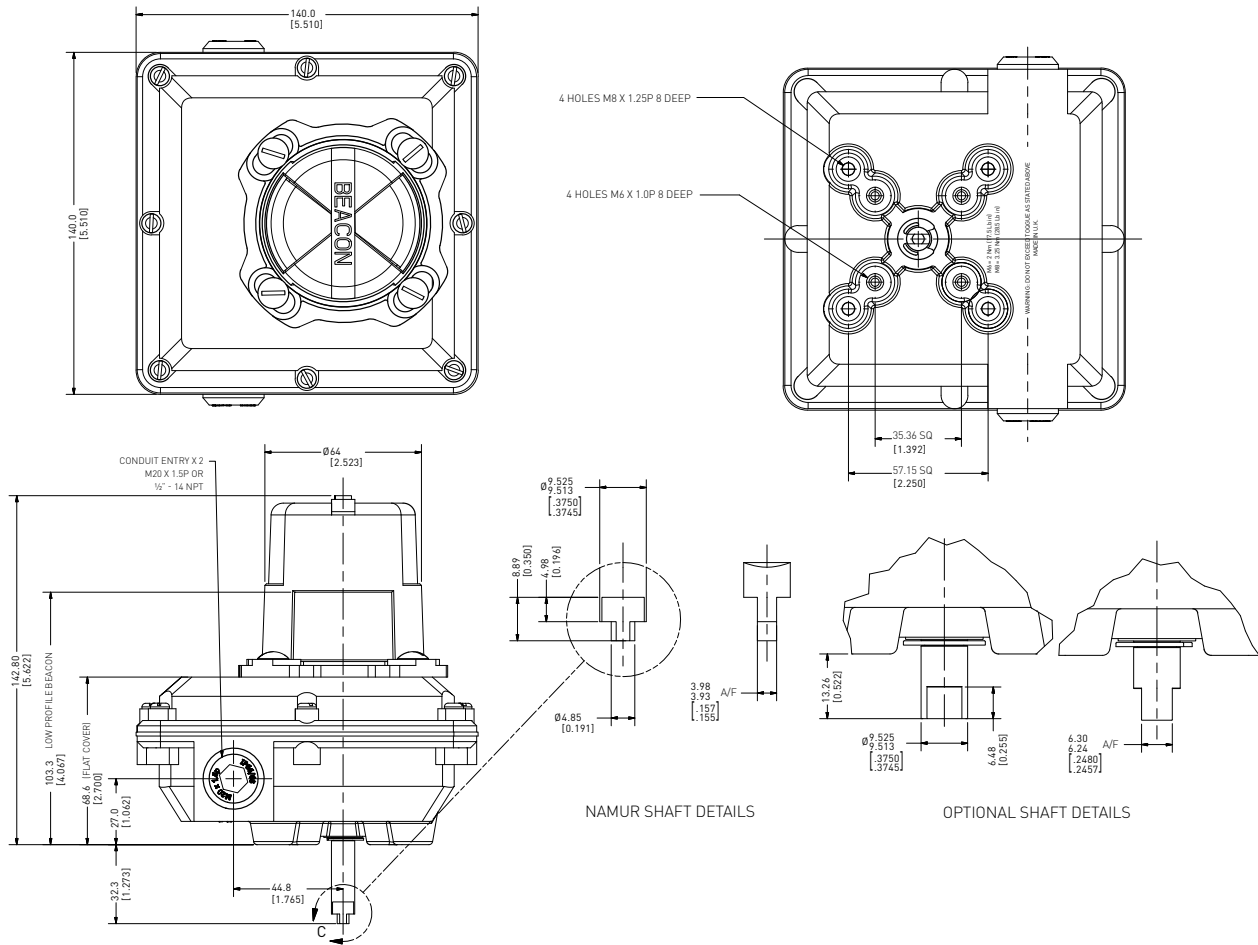
Switches

All Models	V3 SPDT mechanical switches, gold plated contacts V3 inductive NAMUR proximity sensors
	Magnum, SPDT (hermetically sealed proximity type) switches with rhodium contacts

Enclosures

All Models	Engineered resin
	Aluminium
	Stainless steel

3000 Series resin enclosure dimensions



Dimensions in mm, where available imperial dimension (inches) in parentheses

Technical specifications

Materials of construction

Enclosure	Engineered resin
Shaft and hardware	Stainless steel
Bushing	Nylon
Beacon visual indicator	Co-polyester

Drive shaft

Standard	Double-D with 1/4" A/F
Option	NAMUR standard VDI/VDE 3845

Available switches

	V3 SPDT mechanical switches, gold plated contacts
	V3 inductive NAMUR proximity sensors
	Magnum, SPDT (hermetically sealed proximity type) switches with rhodium contacts

Please consult your sales office for any other requirements

Notes

Conduit entries

AccuTrak position monitors are available with a choice of conduit entries. Please see the selection guide for standard entries.

Switches and sensors

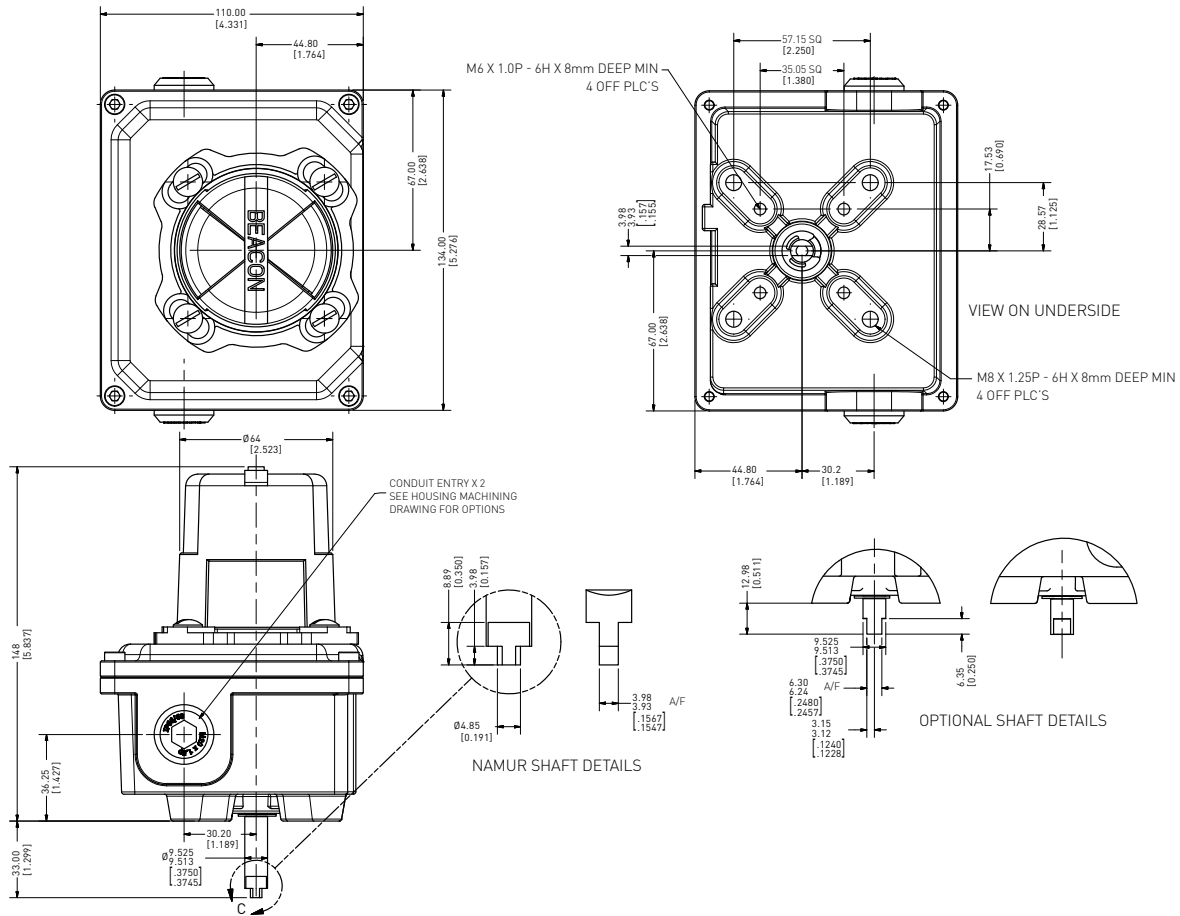
For further information see our switches and sensors data sheet.



AccuTrak™ Rotary Position Monitors

Intrinsically Safe – ATEX/IEC

3000 Series aluminium & stainless steel enclosure dimensions



Dimensions in mm, where available imperial dimension (inches) in parentheses

Technical specifications

Materials of construction

Enclosure	Aluminium with powder coat finish Stainless steel with electropolished finish
Shaft and hardware	Stainless steel
Bushing	Oil impregnated bronze (aluminium enclosure) PTFE (stainless steel enclosure)
Beacon visual indicator	Co-polyester

Drive shaft

Standard	Double-D with 1/4" A/F
Option	NAMUR standard VDI/VDE 3845

Available switches

V3 SPDT mechanical switches, gold plated contacts
V3 inductive NAMUR proximity sensors
Magnum, SPDT (hermetically sealed proximity type) switches with rhodium contacts

Please consult your sales office for any other requirements

Notes

Conduit entries

AccuTrak position monitors are available with a choice of conduit entries. Please see the selection guide for standard entries.

Switches and sensors

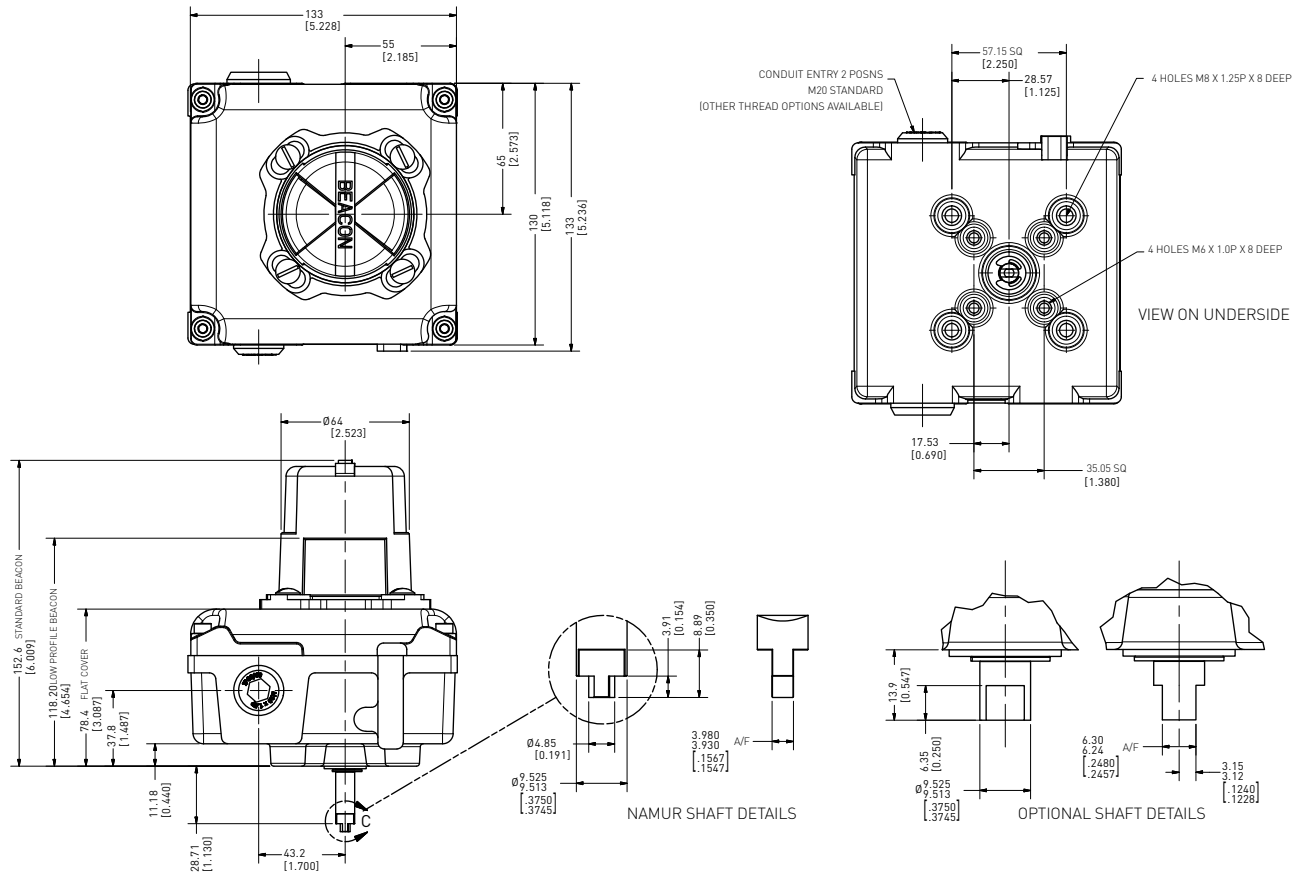
For further information see our switches and sensors data sheet.



AccuTrak™ Rotary Position Monitors

Intrinsically Safe – ATEX/IEC

3300 Series resin enclosure dimensions



Dimensions in mm, where available imperial dimension (inches) in parentheses

Technical specifications

Materials of construction

Enclosure	Engineered resin
Shaft and hardware	Stainless steel
Bushing	Nylon
Beacon visual indicator	Co-polyester

Drive shaft

Standard	Double-D with 1/4" A/F
Option	NAMUR standard VDI/VDE 3845

Available switches

V3 SPDT mechanical switches, gold plated contacts
V3 inductive NAMUR proximity sensors
Magnum, SPDT (hermetically sealed proximity type) switches with rhodium contacts

Please consult your sales office for any other requirements

Notes

Conduit entries

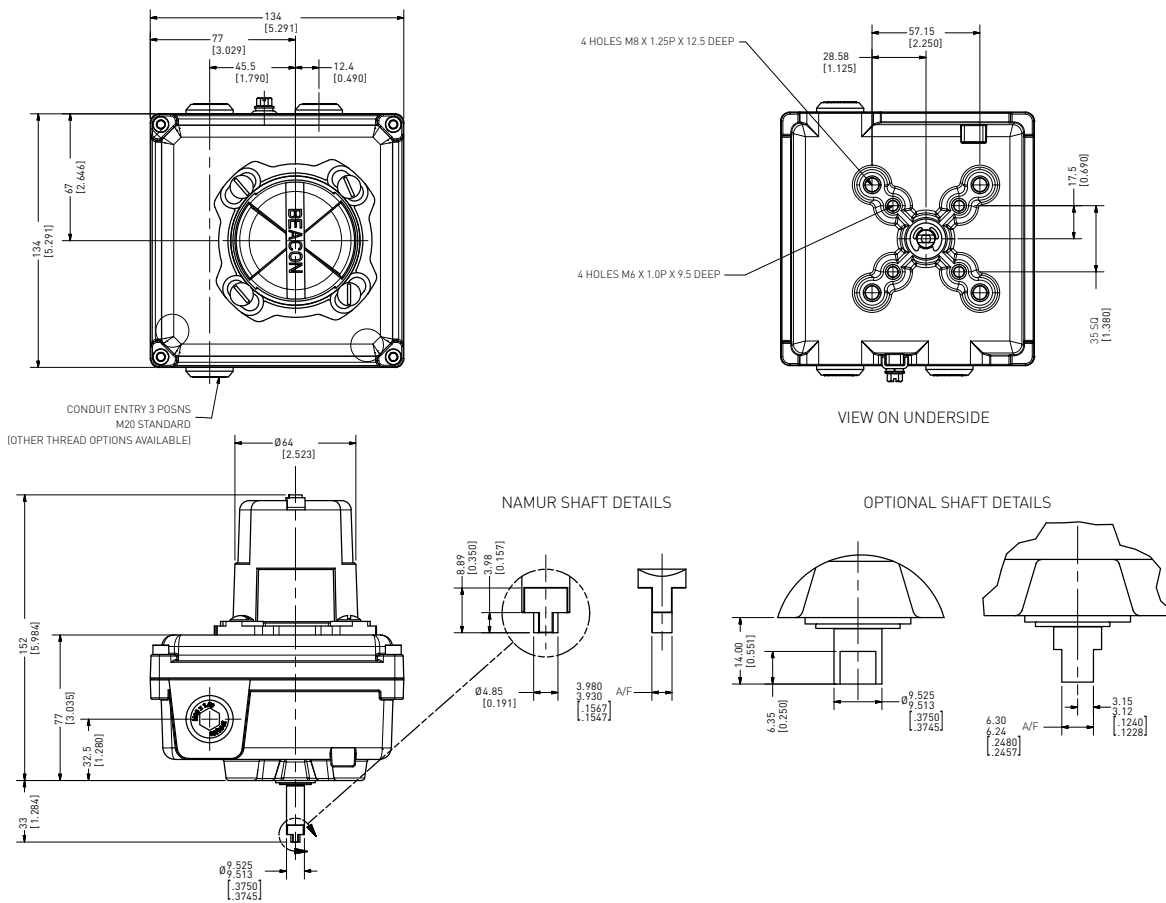
AccuTrak position monitors are available with a choice of conduit entries. Please see the selection guide for standard entries.

Switches and sensors

For further information see our switches and sensors data sheet.



3300 Series aluminium & stainless steel enclosure dimensions



Dimensions in mm, where available imperial dimension (inches) in parentheses

Technical specifications

Materials of construction

Enclosure	Aluminium with powder coat finish Stainless steel with electropolished finish
Shaft and hardware	Stainless steel
Bushing	Oil impregnated bronze (aluminium enclosure) PTFE (stainless steel enclosure)
Beacon visual indicator	Co-polyester

Drive shaft

Standard	Double-D with 1/4" A/F
Option	NAMUR standard VDI/VDE 3845

Available switches

	V3 SPDT mechanical switches, gold plated contacts V3 inductive NAMUR proximity sensors
	Magnum, SPDT (hermetically sealed proximity type) switches with rhodium contacts

Please consult your sales office for any other requirements

Notes

Conduit entries

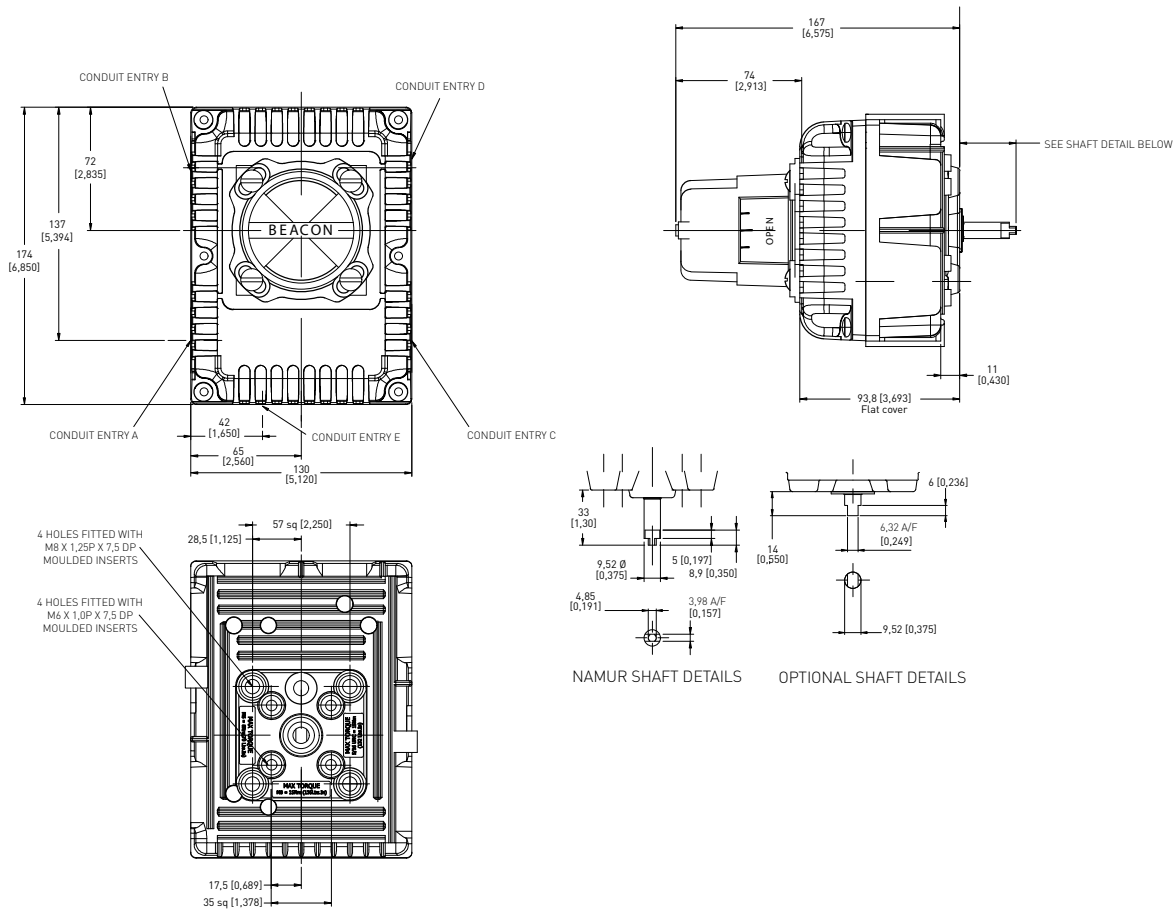
AccuTrak position monitors are available with a choice of conduit entries. Please see the selection guide for standard entries.

Switches and sensors

For further information see our switches and sensors data sheet.



8300 Series resin enclosure dimensions



Dimensions in mm, where available imperial dimension (inches) in parentheses

Technical specifications

Materials of construction

Enclosure	Engineered resin
Shaft and hardware	Stainless steel
Bushing	Nylon
Beacon visual indicator	Co-polyester

Drive shaft

Standard	Double-D with 1/4" A/F
Option	NAMUR standard VDI/VDE 3845

Available switches

V3 SPDT mechanical switches, gold plated contacts
V3 inductive NAMUR proximity sensors
Magnum, SPDT (hermetically sealed proximity type) switches with rhodium contacts

Please consult your sales office for any other requirements

Notes

Conduit entries

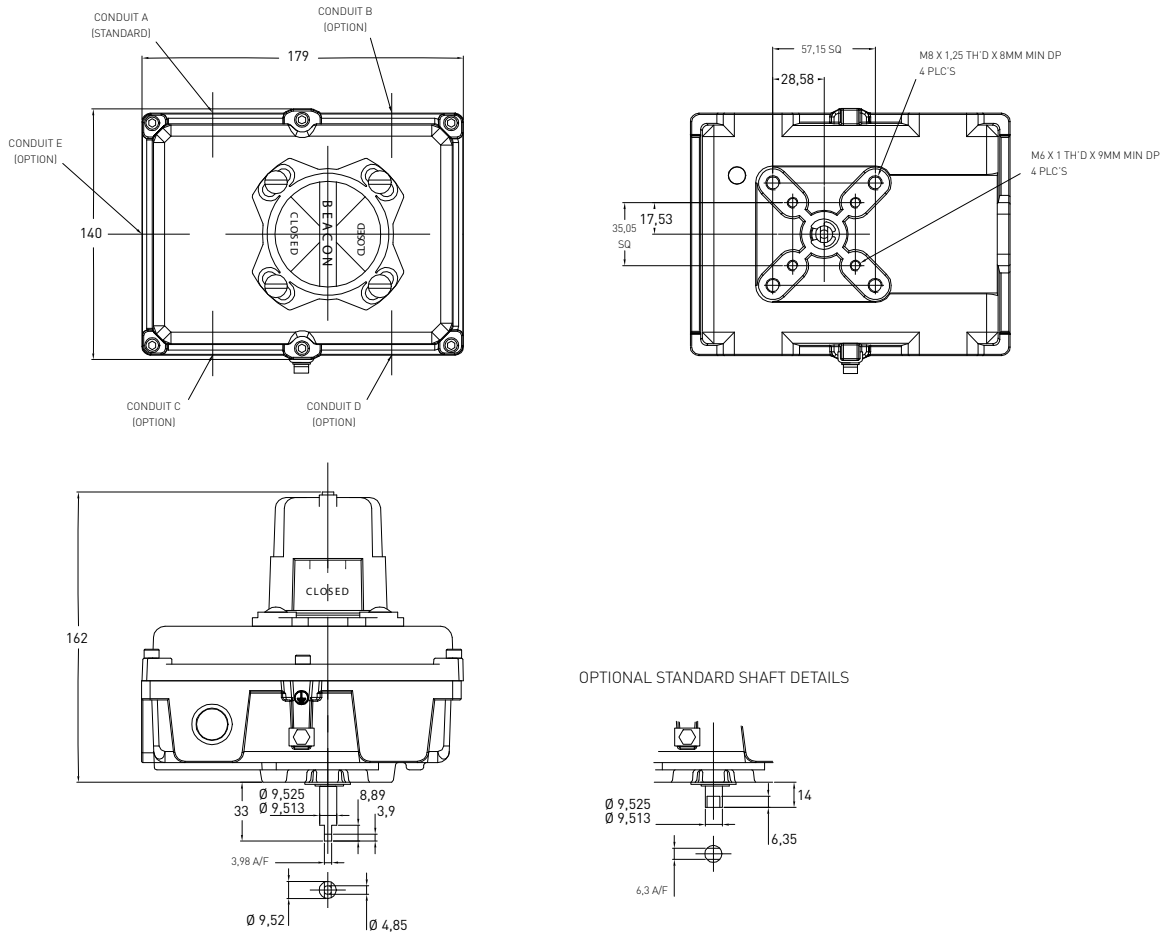
AccuTrak position monitors are available with a choice of conduit entries. Please see the selection guide for standard entries.

Switches and sensors

For further information see our switches and sensors data sheet.



8300 Series aluminium & stainless steel enclosure dimensions



Dimensions in mm, where available imperial dimension (inches) in parentheses

Technical specifications

Materials of construction

Enclosure	Aluminium with powder coat finish Stainless steel with electropolished finish
Shaft and hardware	Stainless steel
Bushing	Oil impregnated bronze (aluminium enclosure) PTFE (stainless steel enclosure)
Beacon visual indicator	Co-polyester

Drive shaft

Standard	Double-D with ¼" A/F
Option	NAMUR standard VDI/VDE 3845

Available switches

	V3 SPDT mechanical switches, gold plated contacts V3 inductive NAMUR proximity sensors
	Magnum, SPDT (hermetically sealed proximity type) switches with rhodium contacts

Please consult your sales office for any other requirements

Notes

Conduit entries

AccuTrak position monitors are available with a choice of conduit entries. Please see the selection guide for standard entries.

Switches and sensors

For further information see our switches and sensors data sheet.

AccuTrak™ Intrinsicly Safe Rotary Position Monitors

Models 3000, 3300 and 8300 Selection Guide

Housing												
30	3000 with flanged lid											
33	3300 with flanged lid											
83	8300 with flanged lid											
Cover style												
4	With Beacon											
6	Flat cover											
Switch type												
5	Microswitch SPDT contacts											
7	Pepperl & Fuchs inductive NAMUR sensor											
8	Other inductive NAMUR sensor											
9	Magnum XT90 (rhodium contact SPDT switch)											
0	No switches fitted											
Material												
A	Aluminium											
R	Engineered resin											
S	Stainless steel											
Beacon type and colour												
BY	Black/Yellow					B1	BM3-1 pattern 90°					
LY	Black/Yellow low profile					B3	BM3-3 pattern 90°					
AR	ANSI Red/White					B5	BM3-5 pattern 90°					
GR	Green/Red					B7	BM3-7 pattern 180°					
00	No Beacon fitted					B9	BM3-9 pattern 180°					
Drive shaft type												
S	Westlock standard – ¼" A/F (6.32 mm)											
N	NAMUR standard shaft – VDI/VDE 3845											
*	Non-standard material and build (consult sales office)											
Ancillary options												
000	No ancillary options											
***	Non-standard material and build (consult sales office)											
Switch/sensor quantity												
0	No switch/sensor fitted											
1	One switch/sensor											
2	Two switches/sensors											
3	Three switches/sensors (consult sales office for 3300/8300 series only)											
4	Four switches/sensors (consult sales office for 3300/8300 series only)											
Conduit entries supplied												
2	Two entries – All enclosures											
3	Three entries (consult sales office for 3000/3300 series)											
4	Four entries (8300 series only)											
5	Five entries (consult sales office for 8300 series only)											
Unit specification												
AAA	Standard build- M20 conduit entries											
ADZ	¾" NPT conduit entries											
DAV	M25 conduit entries											
FAN	½" NPT conduit entries											
***	Non-standard material (consult sales office)											
Certification												
A	ATEX											
I	IECEX											
*	Other options (consult sales office)											
Revision												
R*	Internal revision #											
30	4	5	R	BY	N	000	2	2	AAA	A	R1	= Model number 3045RBYN00022AAA-AR1

Notes

Specifying your position monitor

Specifying a position monitor is a complex process as there are many variables which affect each individual application. To ensure that you receive the best possible combination for your monitoring requirement, please contact your local sales office for advice and guidance from one of our experts.

Hazardous area classification

Please see our data sheet for further information on the global standards affecting the specification and installation of equipment in hazardous areas..

US/Canada: Saddle Brook, NJ

Ph: +1 201 794 7650

Fax: +1 201 794 0913

E-mail: westlockinfo@westlockcontrols.com

South America: Sao Paulo, Brazil

Ph: +55 11 2588 1400

Fax: +55 11 2588 1410

E-mail: comercial@westlock.com.br

Europe: Kent, England

Ph: +44 1892 516277

Fax: +44 1892 707620

E-mail: sales@westlockuk.com

Asia: Singapore

Ph: +65 6768 5850

E-mail: sales@westlockuk.com