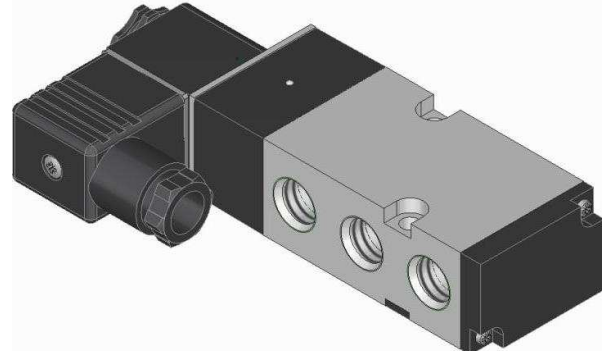


A-NVA-NMR1

Description

General Purpose Safe Area 3 port 2 position or 5 port 2 position.



Product Benefits

The NVA Solenoid valve can be used as either 3/2 or 5/2 by simply rotating the specially designed O ring seal on the Namur Base of the body.

Stainless Steel Slotted Manual Override as standard

Available in 24 Vdc, 24 Vac, 110 Vac and 240 Vac from stock

Features

Operation	3/2 or 5/2 Spring Reset
Inlet Port Size	1/4" BSP
Exhaust Port Size	1/4" BSP
Cv	1.68
Nominal Flow	1680 NI/min
Medium	Compressed Air
Pressure Range	2-10 Bar (29-144 psi)
Operating Temperature	-10°C - 60°C (14°F - 140°F)
Voltage Options	24 Vdc, 24 Vac, 110 Vac, 240 Vac
Voltage Tolerance	±10%
Insertion Duration	100%
Insulation Class	Class F
Ingress Protection	IP65with Connector

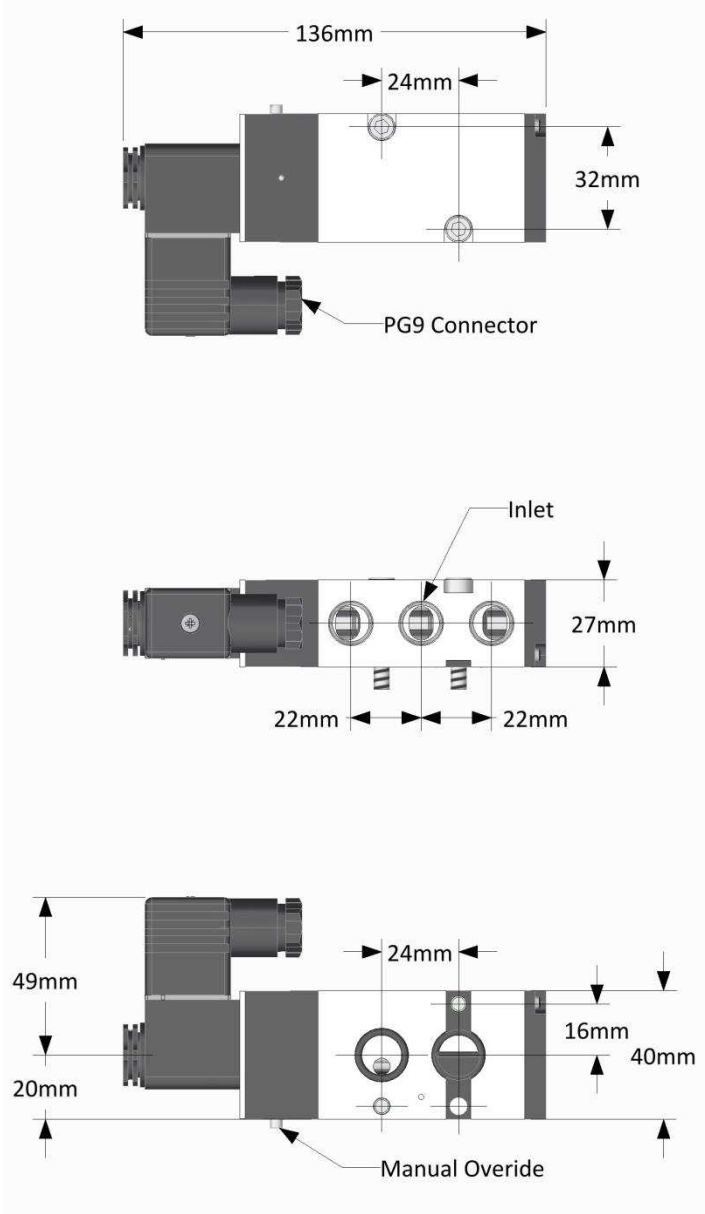
Materials of Construction

Body	Anodised Aluminium
End Caps	Epoxy Coated Aluminium
Coil	Thermoplastic Polyester
Core and plunger	Stainless Steel
Guide Tube	Brass
O rings and Soft Seals	Nitrile
Spool	Nickel Plated Aluminium

Characteristics	DC			AC 50Hz	
	3	4.2	6.5		
Rated Power DC - W					
Inrush Power AC - VA				7.5	12.5
Rated Power AC - VA				8	8.5
Coil Temp Rise - °C	35	45	70	45	85
Copper Temp Rise - °C	40	50	80	55	95

A-NVA-NMR1

Dimensions



Schematic Symbol

