

MODEL NUMBER

TVA-E20GNCM

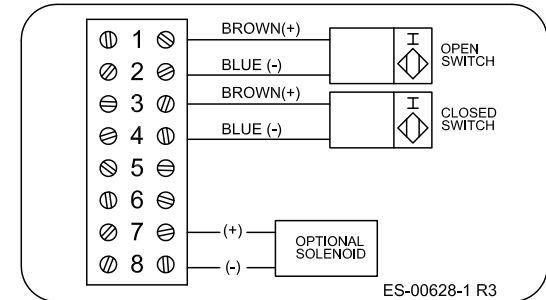
PRODUCT LINE

Switchbox TVA

SPECIFICATIONS

Enclosure	Composite Resin
Bus/Sensor	(2) p+f NJ2+V3-N inductive NAMUR
Area Classification	Intrinsically safe
Visual Display	Standard 90° Green OPEN, Red CLOSED
Shaft	NAMUR
Conduit Entries	(2) M20 Resin
O-Rings	Silicone
Pilot	No pilot option
Spool Valve	No spool valve option
Valve Cv	No valve Cv option
Manual Override	No manual override option
Regional Certification	No regional cert option
N Switch	No N Switch

WIRING DIAGRAM



ES-00628-1 R3

NAMEPLATE



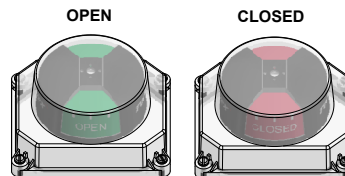
Telemetering Equipment Hazardous Locations
WARNING: Substitution of components may impair intrinsic safety. Potential electrostatic charging hazard. Clean only with a damp cloth.

Ex ia IIC T4 Gb;
 -50°C ≤ Ta ≤ 50°C
 Sire 13ATEX2364X IECEx SIR 13.0146X
 Reference Certificate for Entity Parameters

TopWorx
 3300 Fern Valley Road
 Louisville, KY 40213 USA
 www.topworx.com

Model #:

Serial #:



Current as of October 24, 2017 – Subject to change without notice.

TOPWORX

3300 Fern Valley Road
 Louisville, KY 40213

(502)969-8000 PH
 (502)969-5911 FAX
 www.topworx.com