

MODEL NUMBER

TVA-M20GNCM

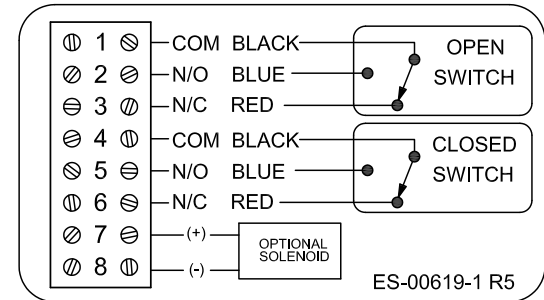
PRODUCT LINE

Switchbox TVA

SPECIFICATIONS

Enclosure	Composite Resin
Bus/Sensor	(2) Mech SPDT
Area Classification	Intrinsically safe
Visual Display	Standard 90° Green OPEN, Red CLOSED
Shaft	NAMUR
Conduit Entries	(2) M20 Resin
O-Rings	Silicone
Pilot	No pilot option
Spool Valve	No spool valve option
Valve Cv	No valve Cv option
Manual Override	No manual override option
Regional Certification	No regional cert option
N Switch	No N Switch

WIRING DIAGRAM



NAMEPLATE



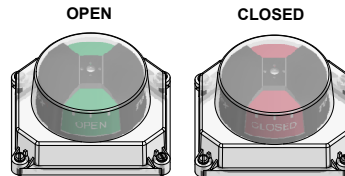
Telemetering Equipment Hazardous Locations
WARNING: Substitution of components may impair intrinsic safety. Potential electrostatic charging hazard. Clean only with a damp cloth.

Ex ia IIC T6 Gb; IP66/68
 -50°C ≤ Ta ≤ 55°C
 Sire IATEX2304X IECEx SIR 13.0146X
 SWITCH: Ui=30V, Ii=200mA, Pi=0.34W

Topworx
 3300 Fern Valley Road
 Louisville, KY 40213 USA
 www.topworx.com

Model #:

Serial #:



Current as of March 2, 2022 – Subject to change without notice.

TOPWORX

3300 Fern Valley Road
 Louisville, KY 40213

(502)969-8000 PH
 (502)969-5911 FAX
 www.topworx.com