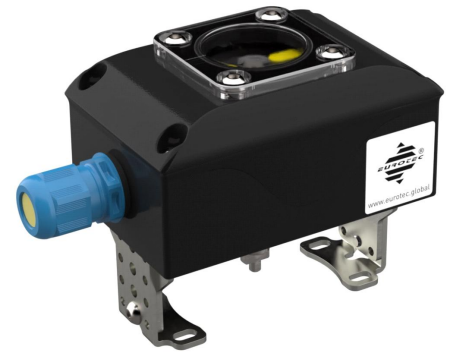


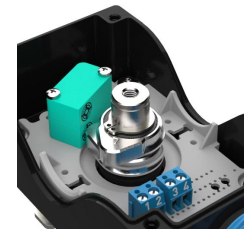
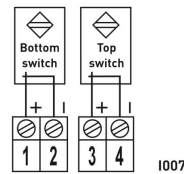
# Endschalterbox, wave, Aluminium, 2x induktiv V3, NAMUR NC

Limit switch box, wave, Aluminum, 2x proximity V3, NAMUR NC

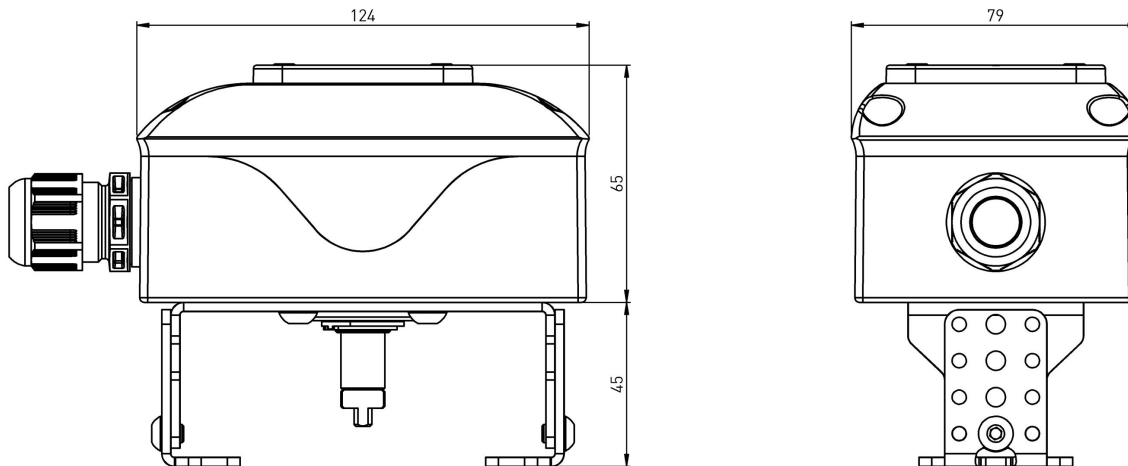
<b>Artikelnummer</b> Part number	<b>EAE2I01-IA</b>
<b>Endschaltertyp</b> Switch type	P+F, NJ2-V3-N
<b>Spannung/Strom</b> Voltage/Current	8,2V DC, <=1mA ON, >=3mA OFF
<b>IP-Schutz</b> IP protection	IP66/IP67
<b>SIL Level</b> SIL level	SIL 1-3
<b>Umgebungstemperatur</b> Ambient temperature	-25...+70°C
<b>Gehäuse Material</b> Housing material	Aluminium, PC, EPDM, NBR
<b>Anschlüsse</b> Connections	1x M20x1,5
<b>Ex Bescheinigung</b> Ex document	IBExU 11 ATEX 1154 IECEX IBE 13.0042
<b>Kennzeichnung</b> Marking	II 2G Ex ia IIC T6 Gb II 2D Ex ia IIC T80°C Db
<b>Eigensicherheit</b> Intrinsic Safety	Ui: 16V li: 25mA Pi: 34mW Ci: 40nF Li: 50µH
<b>Ex Zone</b> Ex zone	Zone 1, 21



### Klemmplaen Wiring diagram



### Maßzeichnung Dimensions



### Enthaltenes Zubehöer Included Accessories

- MBH01 **Edelstahl-Montagebrücke, verstellbar, 80x30x20mm (1.4301)**  
Stainless steel bracket, adjustable, 80x30x20mm (AISI 304)

### Besonderheiten Extras