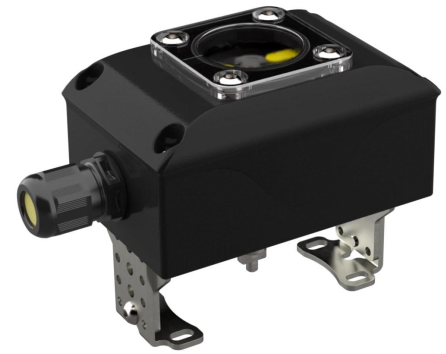


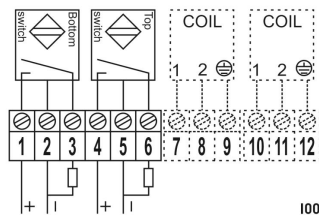
# Endschalterbox, wave, Aluminium, 2x induktiv V3, 3-Draht

Limit switch box, wave, Aluminum, 2x proximity V3, 3-wire

|   |                          |
|---|--------------------------|
| <b>Artikelnummer</b><br>Part number               | <b>EAE2I01</b>           |
| <b>Endschaltertyp</b><br>Switch type              | P+F, NBB2-V3-E2          |
| <b>Spannung/Strom</b><br>Voltage/Current          | 10-30V DC, 100mA, PNP NO |
| <b>IP-Schutz</b><br>IP protection                 | IP66/IP67                |
| <b>SIL Level</b><br>SIL level                     | SIL 1-3                  |
| <b>Umgebungstemperatur</b><br>Ambient temperature | -25...+70°C              |
| <b>Gehäuse Material</b><br>Housing material       | Aluminium, PC, EPDM, NBR |
| <b>Anschlüsse</b><br>Connections                  | 1x M20x1,5               |



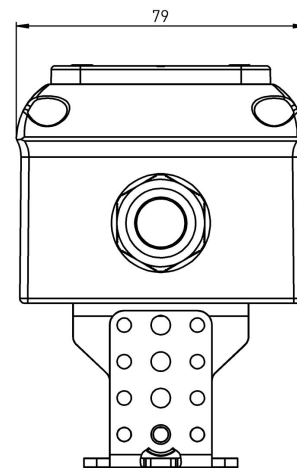
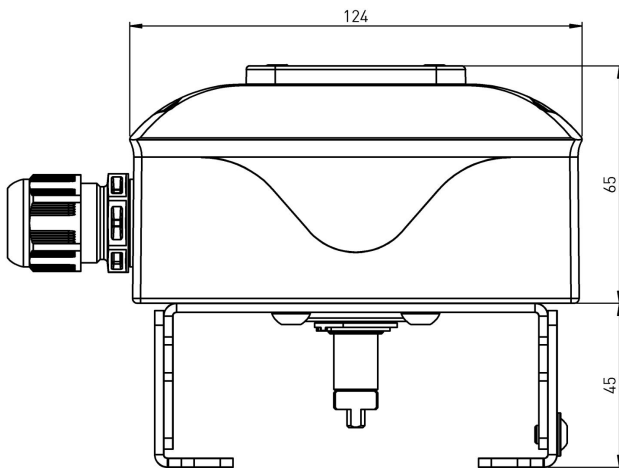
## Klemmplan Wiring diagram



I001



## Maßzeichnung Dimensions



## Enthaltenes Zubehör Included Accessories

- MBH01 **Edelstahl-Montagebrücke, verstellbar, 80x30x20mm (1.4301)**  
Stainless steel bracket, adjustable, 80x30x20mm (AISI 304)

## Besonderheiten Extras