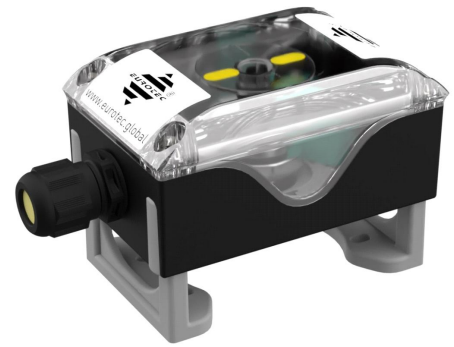


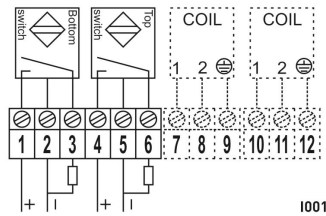
Endschalterbox, wave, PA/PC, 2x induktiv V3, 3-Draht

Limit switch box, wave, PA/PC, 2x proximity V3, 3-wire

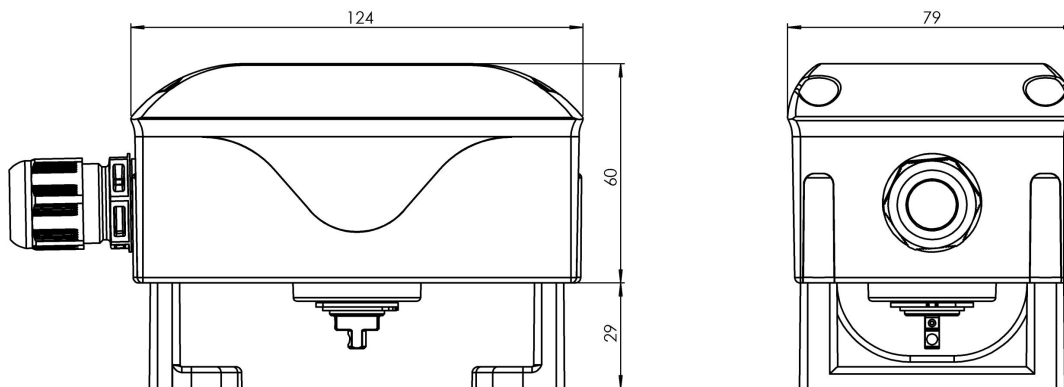
Artikelnummer Part number	EPP2I01
Endschaltertyp Switch type	P+F, NBB2-V3-E2
Spannung/Strom Voltage/Current	10-30V DC, 100mA, PNP NO
IP-Schutz IP protection	IP67
SIL Level SIL level	SIL 1-3
Umgebungstemperatur Ambient temperature	-25...+70°C
Gehäuse Material Housing material	PA6, PC, EPDM, NBR
Anschlüsse Connections	1x M20x1,5



Klemmplan Wiring diagram



Maßzeichnung Dimensions



Enthaltenes Zubehör Included Accessories

Besonderheiten Extras

- Polyamid-Montagebrücke 80x30x20mm (PA mit 30% Glasfaser)
- Polyamide mounting bracket 80x30x20mm (PA with 30% fiber glass)