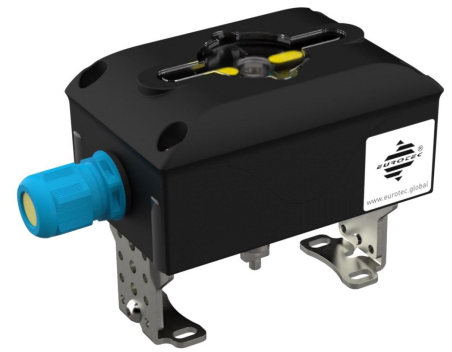


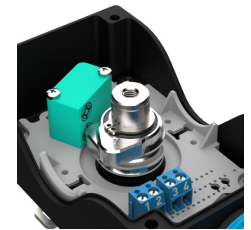
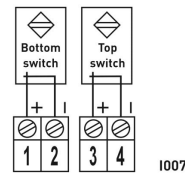
Endschalterbox, wave, Vestamid, 2x induktiv V3, NAMUR NC

Limit switch box, wave, Vestamid, 2x proximity V3, NAMUR NC

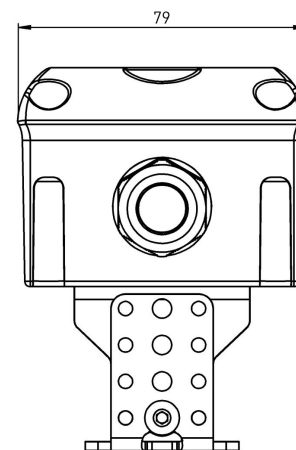
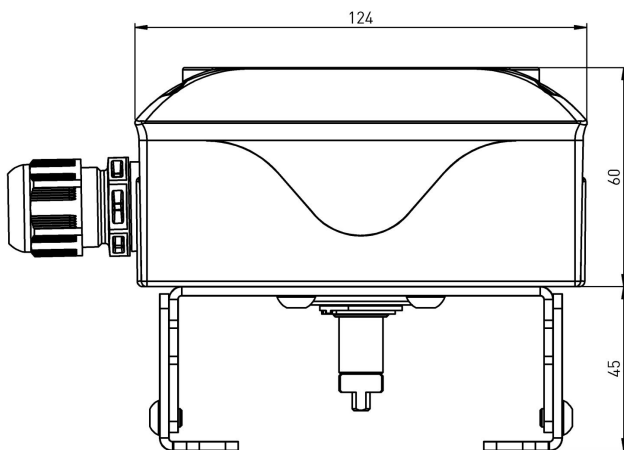
Artikelnummer Part number	EVE2I01-IA
Endschaltertyp Switch type	P+F, NJ2-V3-N
Spannung/Strom Voltage/Current	8,2V DC, <=1mA ON, >=3mA OFF
IP-Schutz IP protection	IP66/IP67
SIL Level SIL level	SIL 1-3
Umgebungstemperatur Ambient temperature	-25...+70°C
Gehäuse Material Housing material	Vestamid, Grilamid, EPDM, NBR
Anschlüsse Connections	1x M20x1,5
Ex Bescheinigung Ex document	IBExU 11 ATEX 1154 IECEX IBE 13.0042
Kennzeichnung Marking	II 2G Ex ia IIC T6 Gb II 2D Ex ia IIC T80°C Db
Eigensicherheit Intrinsic Safety	Ui: 16V li: 25mA Pi: 34mW Ci: 40nF Li: 50µH
Ex Zone Ex zone	Zone 1, 21



Klemmplaen Wiring diagram



Maßzeichnung Dimensions



Enthaltenes Zubehör Included Accessories

- MBH01 **Edelstahl-Montagebrücke, verstellbar, 80x30x20mm (1.4301)**
Stainless steel bracket, adjustable, 80x30x20mm (AISI 304)

Besonderheiten Extras